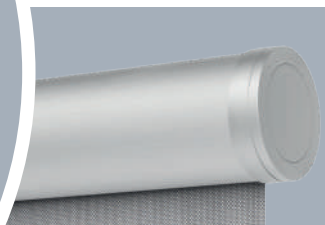




7.3.108

Rollbox serie 75





Cassonetto: tondo ø75 mm in alluminio estruso 6060 T6 UNI 8278

Headbox: round shape ø75 mm extruded aluminium 6060 T6 UNI 8278

Caja: redondo ø75 mm en aleación de aluminio 6060 T6 UNI 8278

Cassette: rond ø75 mm en aluminium extrudé 6060 T6 UNI 8278

Gehäuse: runde Form ø75 mm extrudiertes Aluminium 6060 T6 UNI 8278

Cassette: rond ø75 mm in geëxtrudeerd aluminium 6060 T6 UNI 8278

Catena ottone ø 4,5 mm passo 6 mm nichelata

Brass chain ø 4,5 - Pitch 6 mm nichel plated

Cadena de latón ø 4,5 mm paso 6 mm níquelado

ø 4,5 **chaîne** métallique 6 mm nichel

Messingkette ø 4,5 mm Teilung 6 mm vernickelt

ø 4,5 mm **ketting** messing 6 mm

Fondale rettangolare o a goccia in alluminio estruso e corredato di terminale in materiale termoplastico

Extruded aluminium **bottombar** rectangular or drop shape with thermoplastic endcap

Contrapeso rectangular o en forma de gota en aluminio con tapones en termoplástico

Contrapeso rectangular ou em forma de gota em alumínio com tapas termoplásticas

Beschwerung rechteckige of Tropfenform **aus Aluminium** extrudiertes mit thermoplast Enddeckel

Onderlat rechthoekig of druppelvorm in geëxtrudeerd aluminium met eindkappen in thermoplastic

ROLLBOX SERIE 60

Tipo di applicazione:

- Verticale

Ambiente di applicazione:

- Interno

Azionamento:

- Molla decelerata (175) • Catenella (275)
- Motore 230Vac- 50-60Hz (475) • A batteria ricaricabile integrata (775)

Fissaggio:

- A soffitto/parete con supporti in termoplastico
- A soffitto/parete con staffe in alluminio pressofuso

Tipo di tessuto:

- Filtrante • Dim Out • Oscurante

Applications:

- Vertical

Ambience:

- Interior

Operated by:

- Decelerated spring (175) • Chain (275)
- 230Vac/50-60Hz Motor (475) • Rechargeable battery motor (775)

Fixing:

- Thermoplastic wall/ceiling brackets
- Die-cast aluminium wall/ceiling brackets

Fabrics:

- Filtering • Dim Out • Black-out

Uso:

- Vertical

Ambiente:

- Interior

Accionamento para:

- Resorte desacelerado (175) • Cadena (275)
- Motor 230Vac/50-60Hz (475) • Motor a baterias recargables (775)

Fijación:

- Techo/pared con soportes en termoplástica
- Techo/pared con soportes en aluminio fundido a presión

Tejidos:

- Reflektante • Filtrante • Obscureciente

IT

Utilisation:

- Vertical

Environnement:

- Intérieur

Actionee par:

- Ressort decelere (175) • Chainette (275)
- Moteur 230Vac/50-60Hz (475) • Avec batteries (775)

Fixation:

- Plafond / mur avec supports en thermoplastique
- Plafond / mur avec supports en aluminium moulé sous pression

Tissus:

- Filtrant • Dim Out • Obscurcissant

FR

EN

Anwendung:

- Vertikal

Anwendungsumgebung:

- Innenliegend

Bedienung mit:

- Langsamlaufender Feder (175) • Kette (275)
- 230Vac Motor (475) • Wiederaufladbarem akku Motor (775)

Befestigung:

- Decken- oder Wandmontage aus stoßfestem Thermoplast
- 6060 T60 UNI 8278 extruiertes Aluminium Decken/Wand Montage

Stoffe:

- Halbtransparent • Abdunkelnd • Außenbereich

DE

ES

Gebruik:

- Verticaal

Omgeving:

- Binnen

Bediend met:

- Vertraagde veer (175) • Ketting (275)
- Motor 230Vac/50-60Hz (475) • Batterij (775)

Bevestiging (Bevestiging):

- Plafond/wandsteunen in thermoplastic
- Plafond/wandsteunen in spuitgiet aluminium

Doeken:

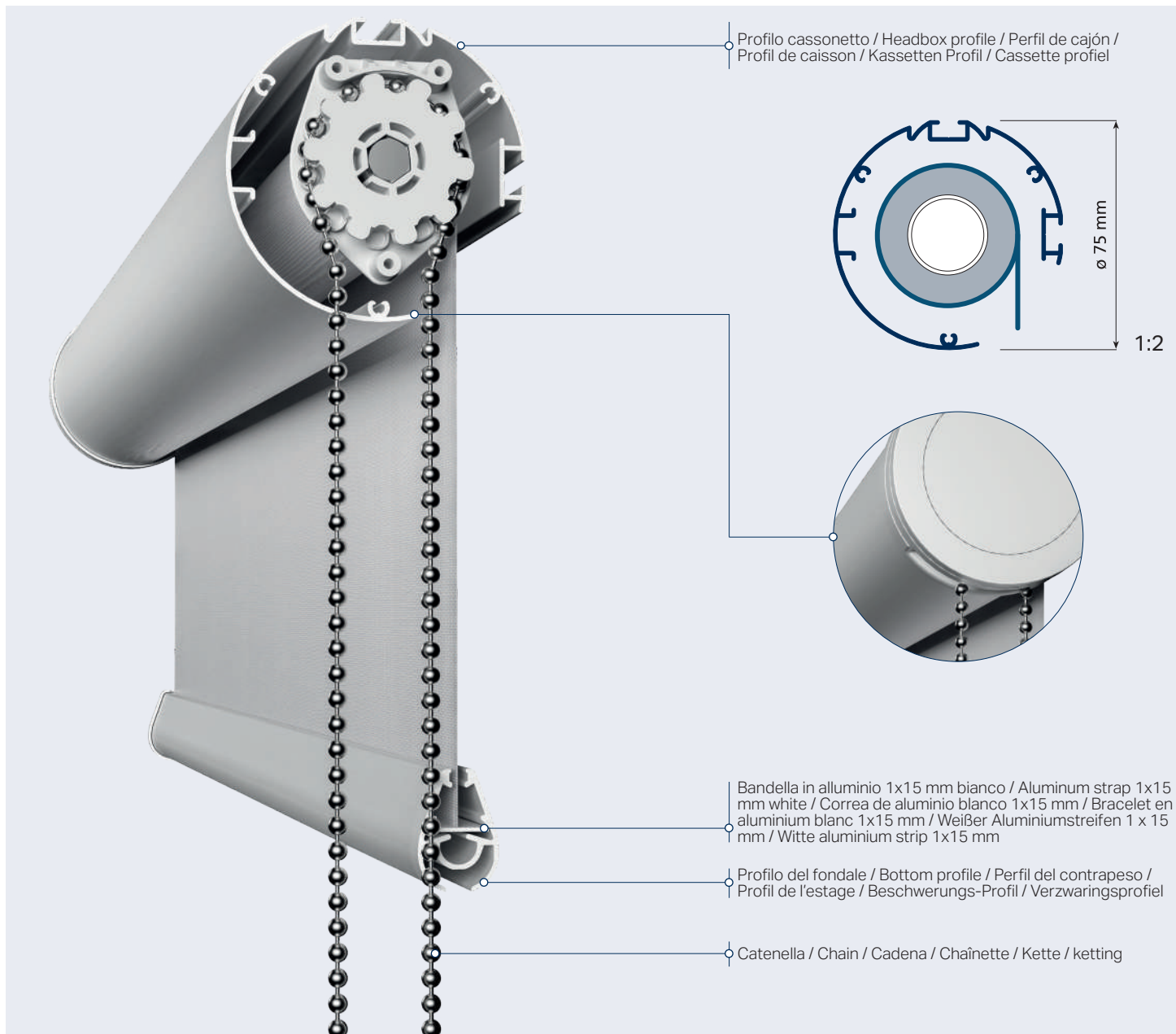
- Filterend • Dim Out • Verduisterend

NL



7.3.110

Rollbox serie 75



COLORI - COLOURS - COLORES - COLEURES - FARBEN - KLEUREN



ALLUMINIO SATINATO
/ Satined aluminium



BIANCO OPACO
/ Matt white



ALTRI COLORI A RICHIESTA
/ available on demand

ON DEMAND



RAL 9003
Bianco segnale
/ Signal white



RAL 9016
Bianco traffico
/ Traffic white



RAL 9001
Bianco crema
/ Cream



RAL 1013
Bianco perla
/ Oyster white



RAL 1015
Avorio chiaro
/ Light ivory



RAL 1019
Beige grigiastro
/ Grey beige



RAL 8028
Marrone terra
/ Terra brown



RAL 8017
Marrone cioccolato
/ Chocolate brown



RAL 8014
Marrone seppia
/ Sepia brown



RAL 8019
Marrone grigiastro
/ Grey brow



RAL 7047
Grigio tele
/ Telegrey



RAL 7035
Grigio luce
/ Light grey



RAL 9006
Alluminio brillante
/ White aluminium



RAL 9007
Alluminio grigiastro
/ Grey aluminium



RAL 7030
Grigio pietra
/ Stone grey



RAL 7037
Grigio polvere
/ Dusty grey



RAL 7001
Grigio argento
/ Silver grey



RAL 7039
Grigio quarzo
/ Quartz grey



RAL 7024
Grigio grafite
/ Graphite grey



RAL 7022
Grigio ombra
/ Umbra grey



RAL 7021
Grigio nerastro
/ Black grey



RAL 9011
Nero grafite
/ Graphite black



RAL 9004
Nero segnale
/ Signal black



RAL 6005
Verde muschio
/ Moss green



ROVERE CHIARO
398-87R



ROVERE
414-73R



DOUGLAS
335-80



CILIEGIO
317-70R

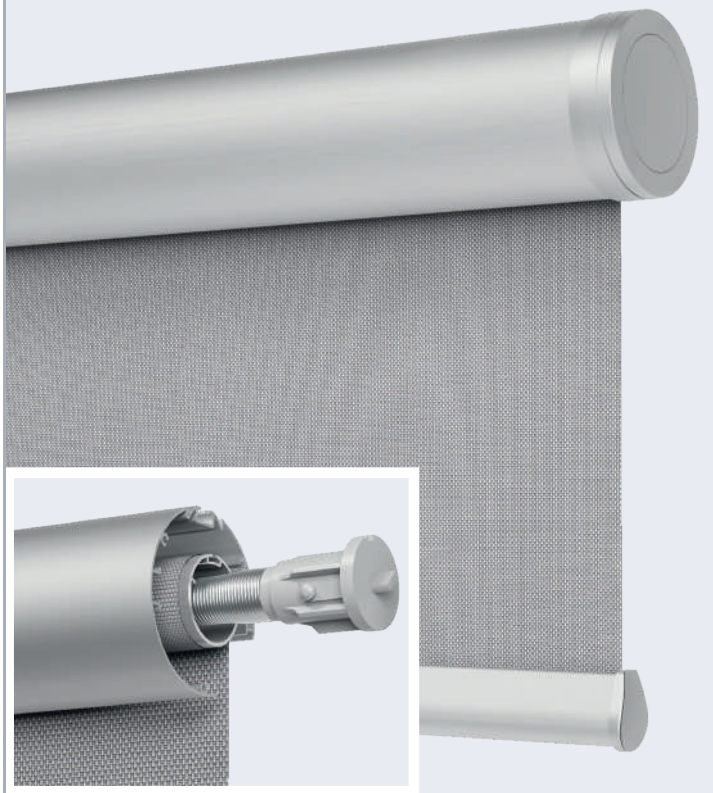


NOCE
102-70R

AZIONAMENTI - CORD OPERATED - ACCIONAMIENTOS - ACTIONNEMENT - SCHNURBETÄTIGUNG - KOORDBEDIEND

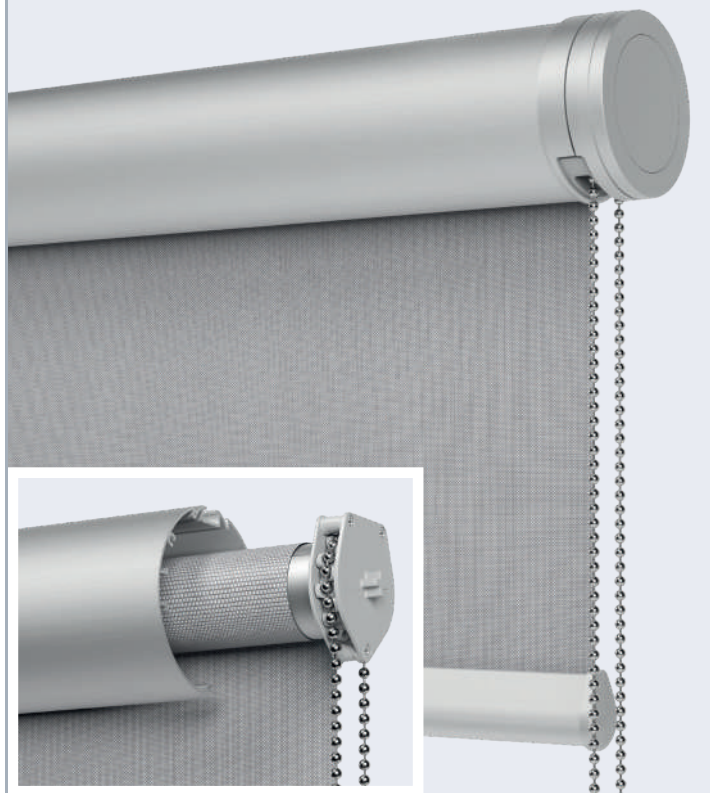
ROLLBOX 175 - 1900R11

Tenda a rullo azionamento a molla decelerata
Decelerated spring operating roller blind



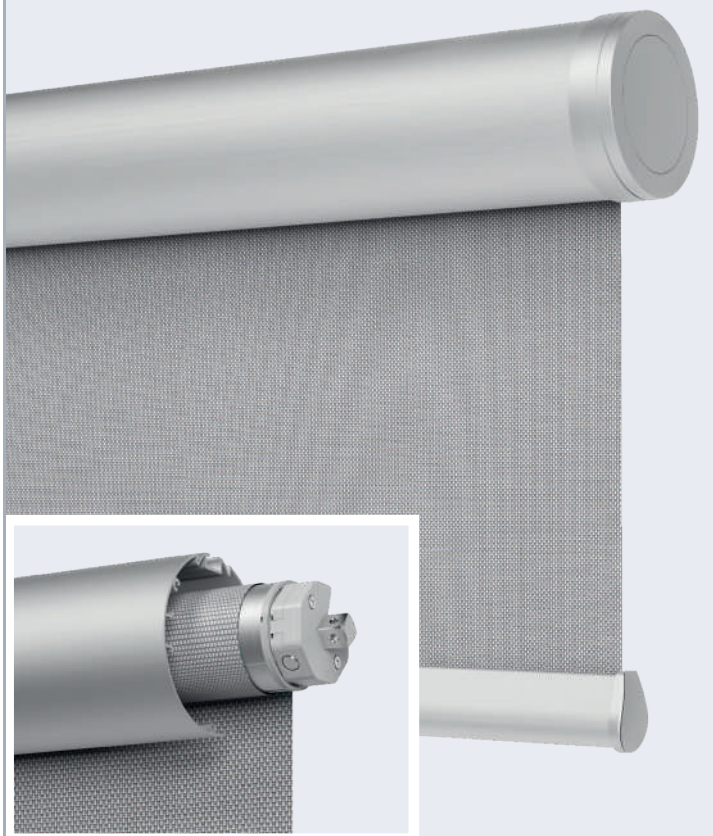
ROLLBOX 275 - 1900R12

Tenda a rullo azionamento a catenella
Chain operating roller blind



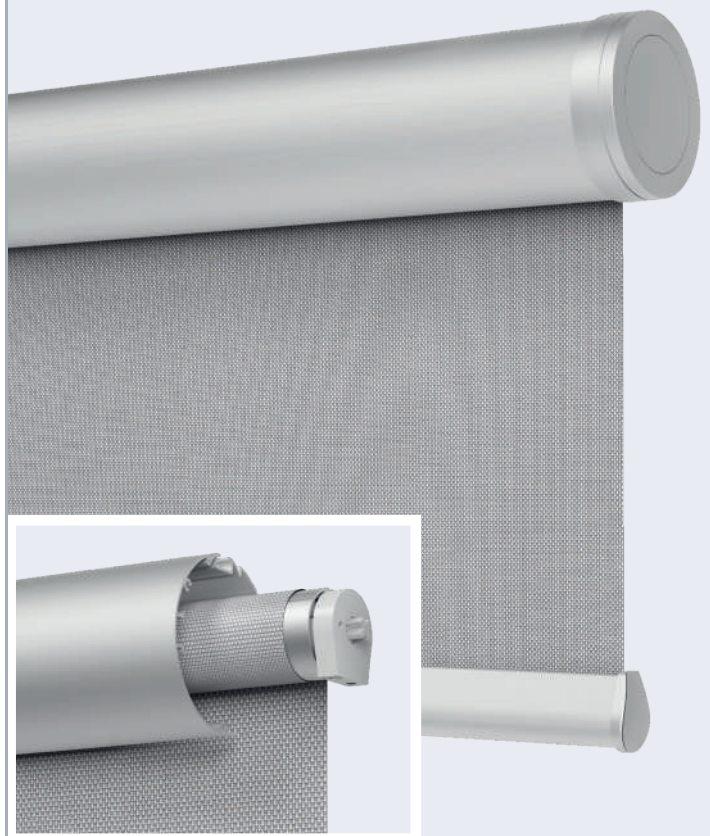
ROLLBOX 475 - 1900R14

Tenda a rullo azionamento a motore 230 Vac
230 Vac motorized roller blind



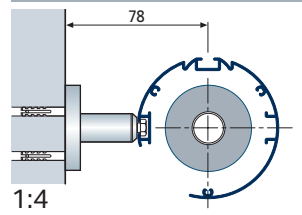
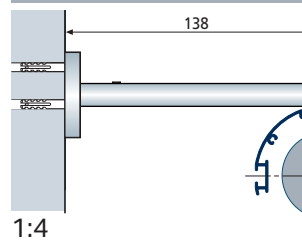
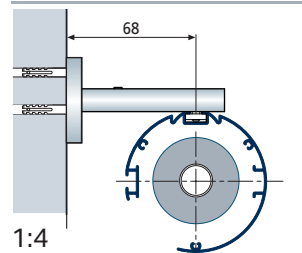
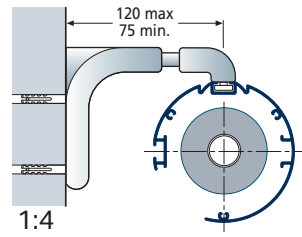
ROLLBOX 775 - 1900R43

Tenda a rullo azionamento a motore a batteria Li-Ion integrata
Li-Ion built in battery motor roller blind

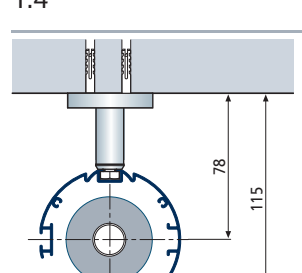
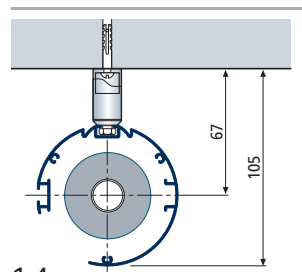
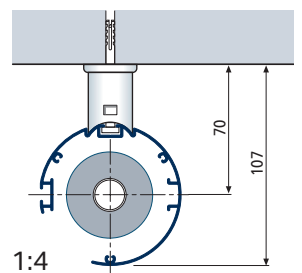


Rollbox serie 75

A PARETE - WALL - A PARED - MUR - WAND - MUUR

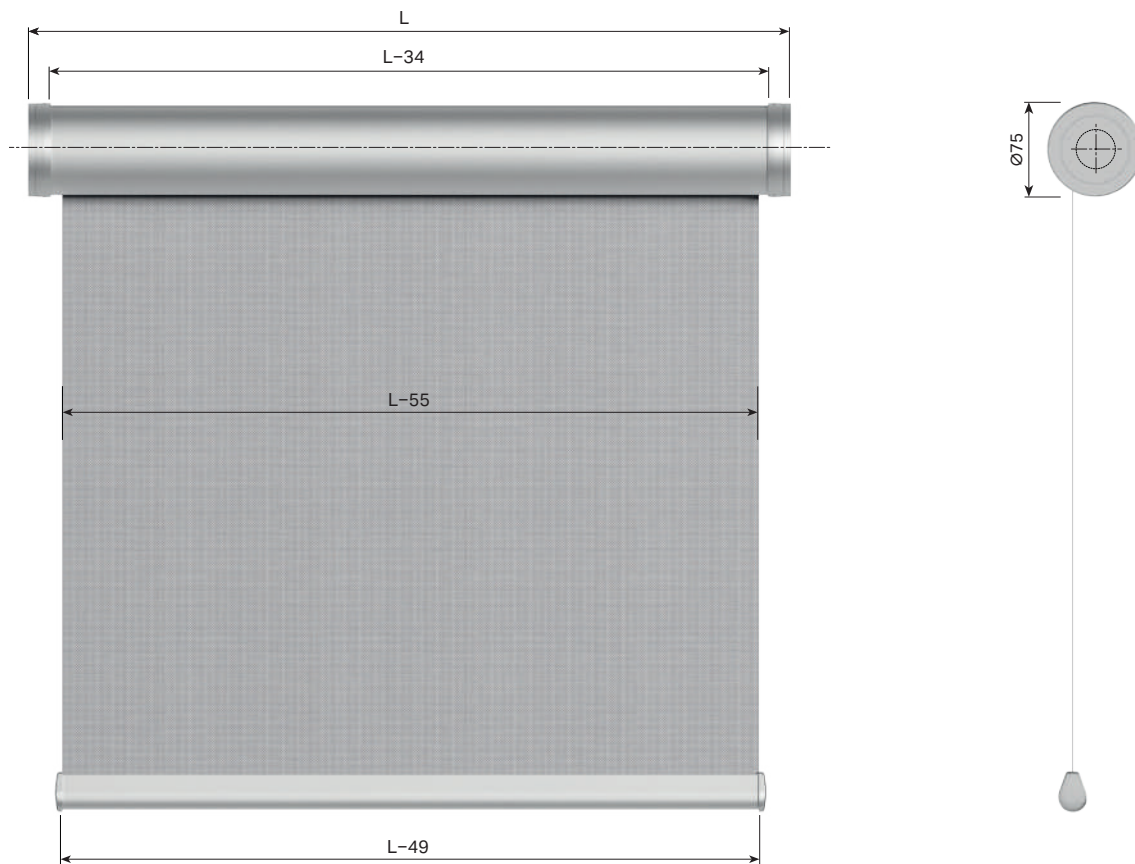


A SOFFITTO - CEILING - TECHO - PLAFOND - DECKE - PLAFOND



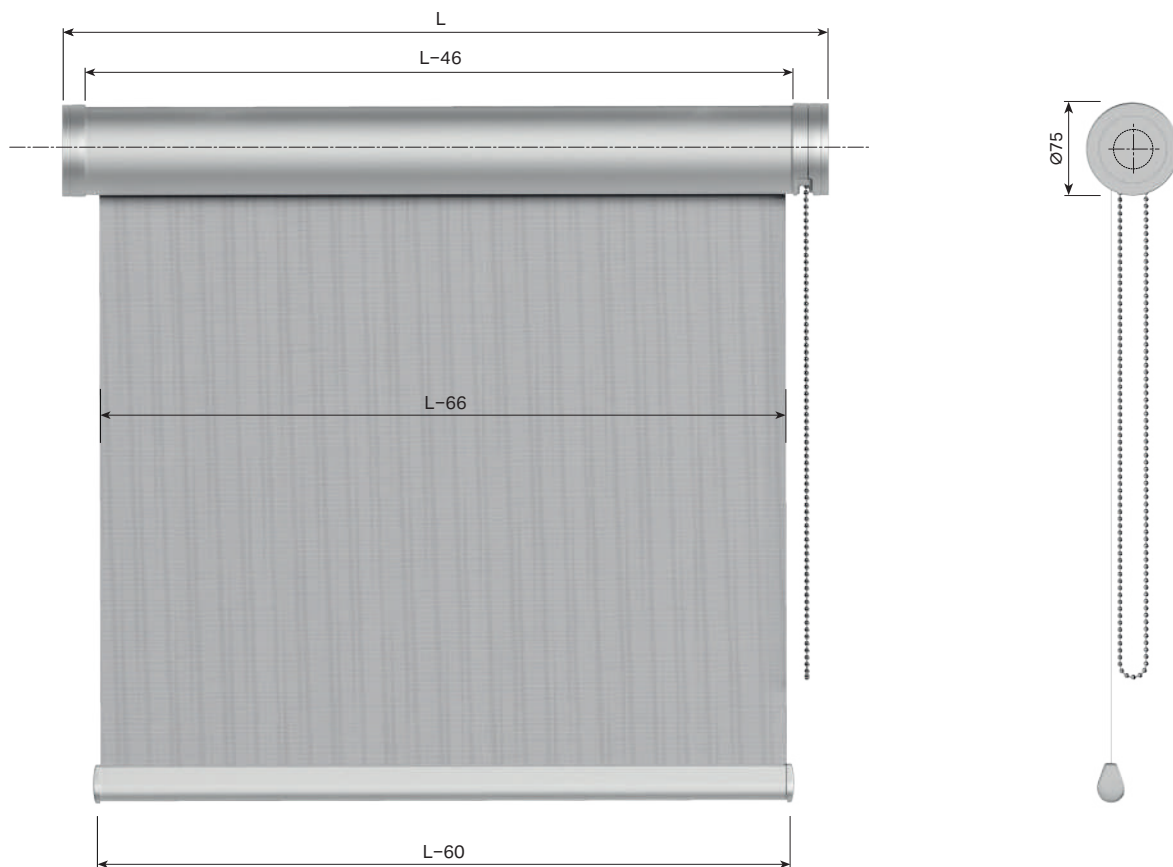
INGOMBRI - OVERALL DIMENSIONS - ESPESORES - ENCOMBREMEN - RAUMBEDARF - PAKKET

ROLLBOX 175



1:6

ROLLBOX 275



1:6

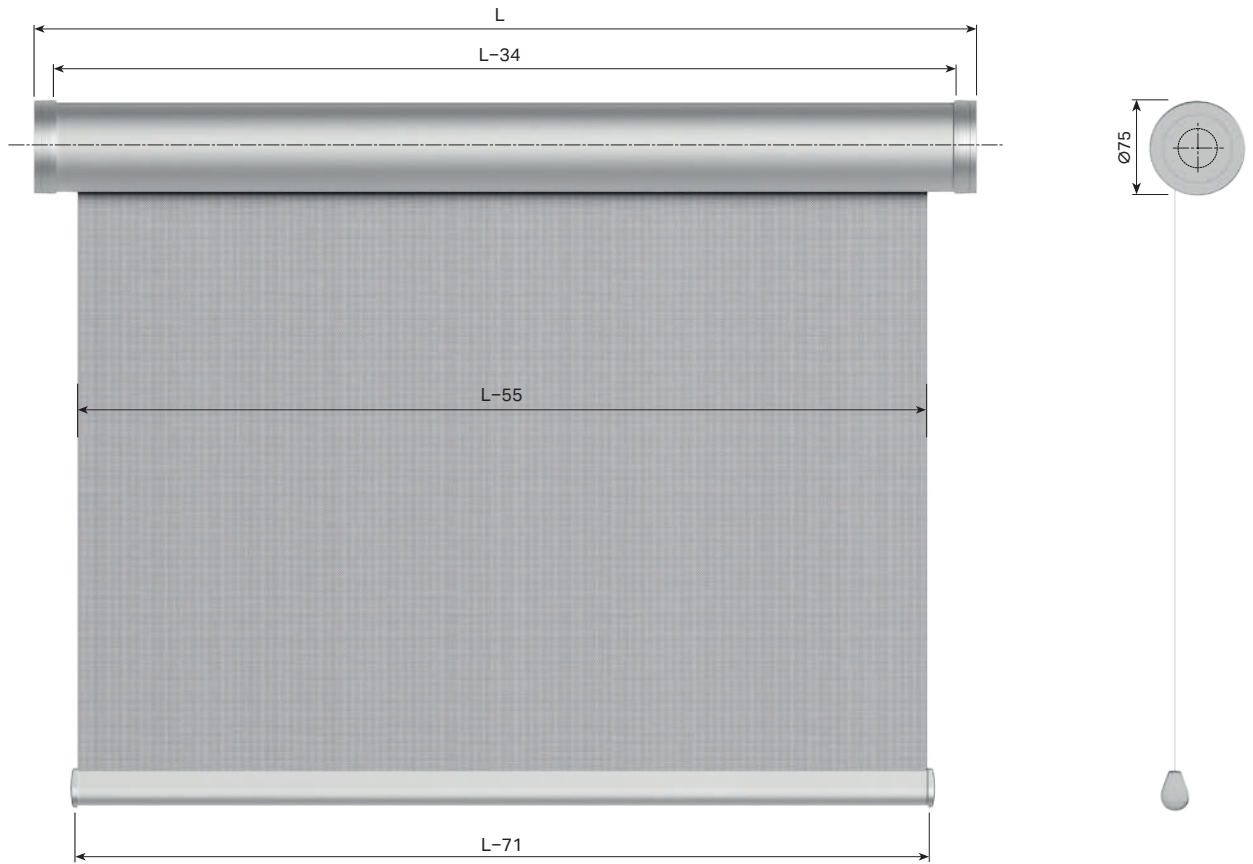


7.3.114

Rollbox serie 75

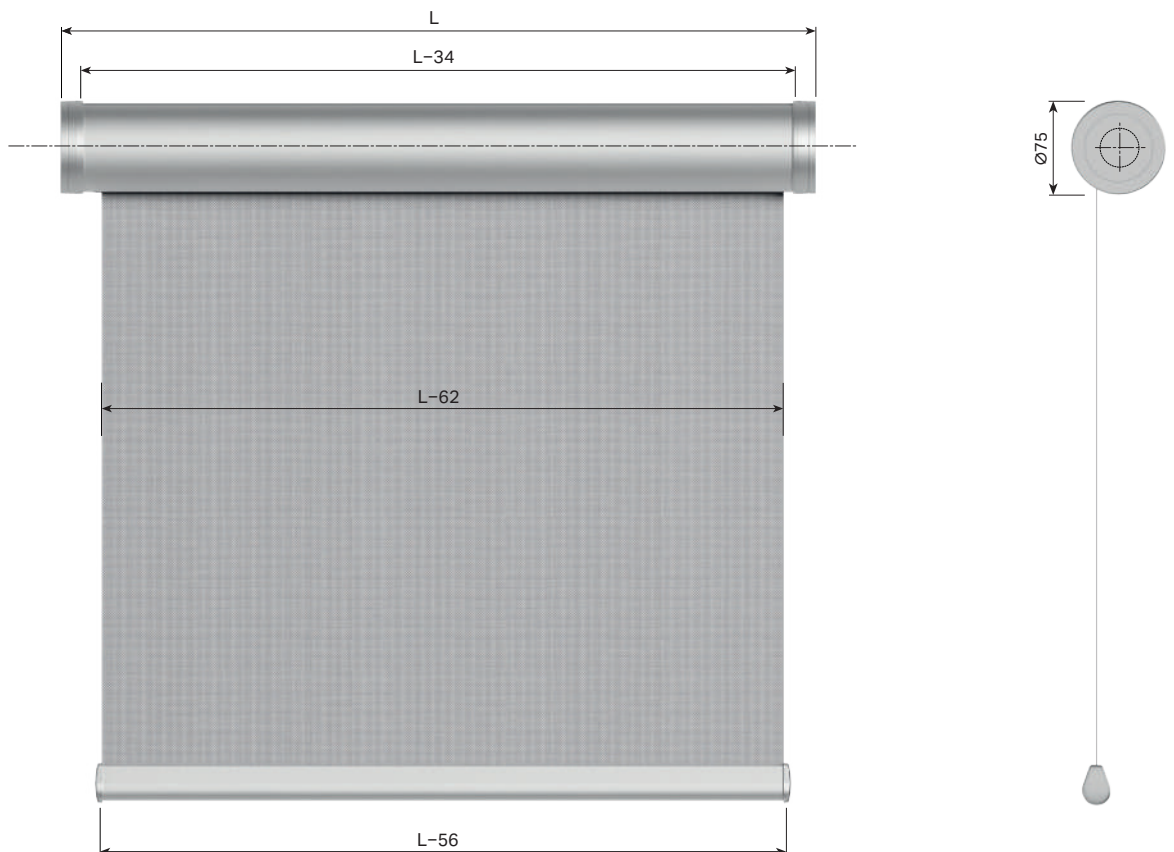
INGOMBRI - OVERALL DIMENSIONS - ESPESORES - ENCOMBREMEN - RAUMBEDARF - PAKKET

ROLLBOX 475



1:6

ROLLBOX 775



1:6

MISURE TELO - BLIND DIMENSION - MEDIDAS SISTEMA - DIMENSION TOILE - BAHNABMESSUNGEN - AFMETING DOEK

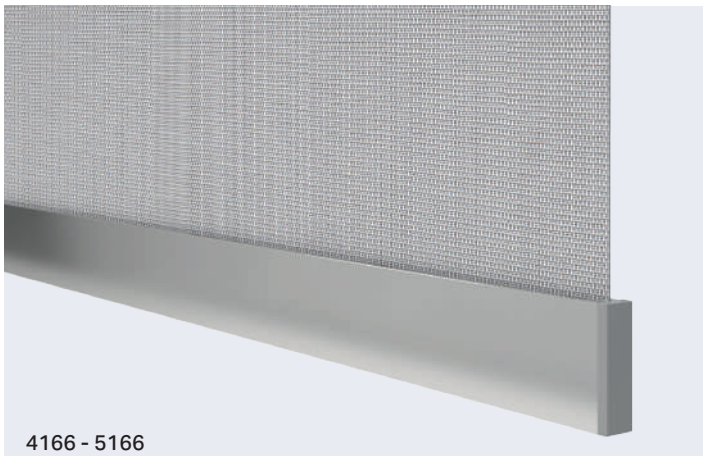


*Side operation

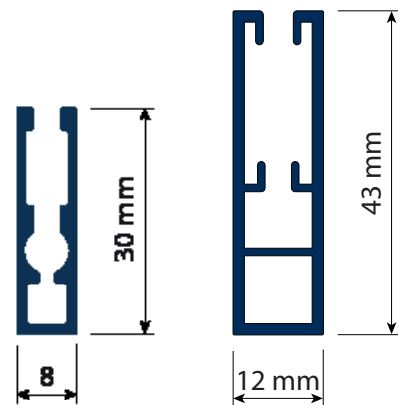
	A (mm)	B (mm)
ROLLBOX 175	28	27
ROLLBOX 275	35	31
ROLLBOX 475	37	41
ROLLBOX 775	33	29

	A (mm)	B (mm)	C (mm)
ROLLBOX 175	26	25	34
ROLLBOX 275	30	30	33
ROLLBOX 475 - A	37	37	64
ROLLBOX 475 - B	37	41	60
ROLLBOX 475 - C	41	41	72
ROLLBOX 775	30	30	33

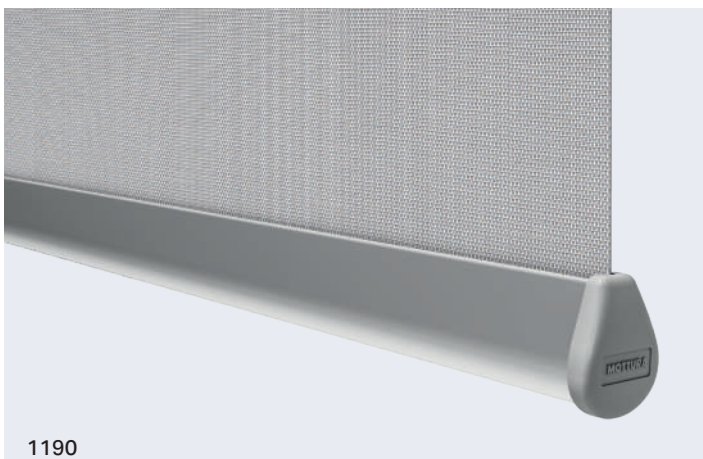
FONDALI - BOTTOM BARS - CONTRAPESOS - BARRES DE LESTAGE - BESCHWERUNGSPROFIL - ONDERLATTEN



4166 - 5166



1:1



1190



1:1

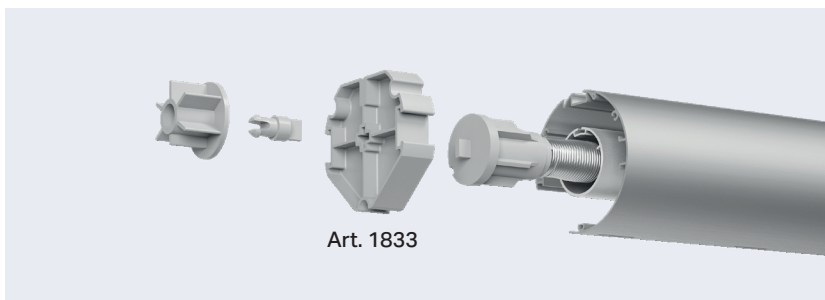
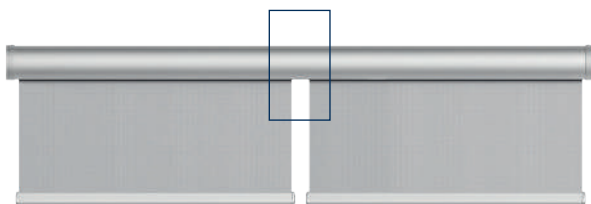


7.3.116

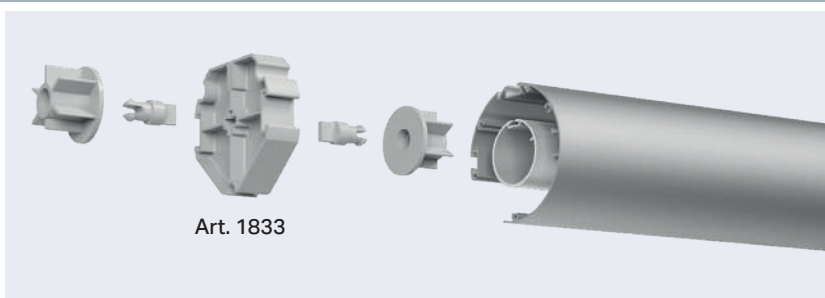
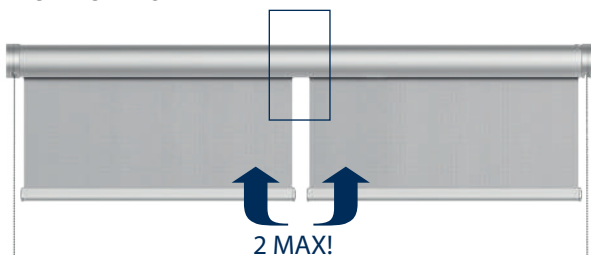
Rollbox serie 75

INSTALLAZIONE IN PARALLELO - PARALLEL INSTALLATION - UTILIZACIÓN EN PARALELO - INSTALLATION EN PARALLÈLE - PARALLELMONTAGE - PARALLELE INSTALLATIE

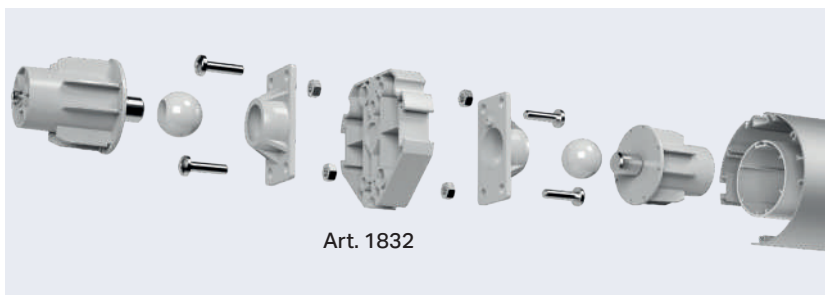
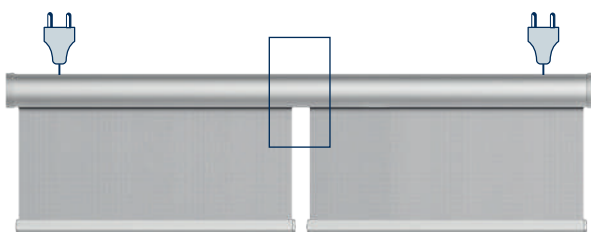
ROLLBOX 175



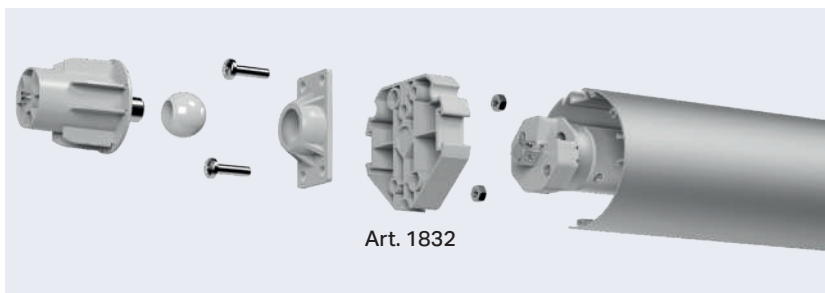
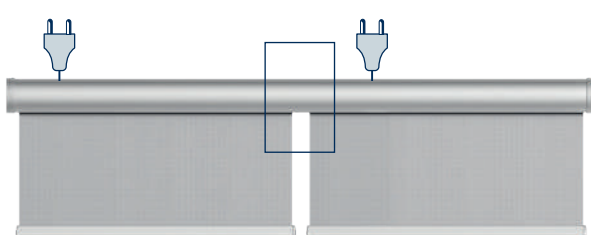
ROLLBOX 275



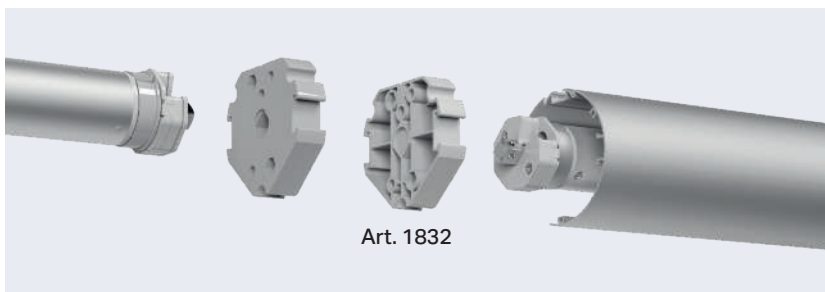
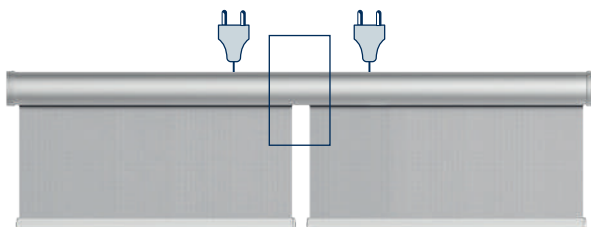
ROLLBOX 475 - A



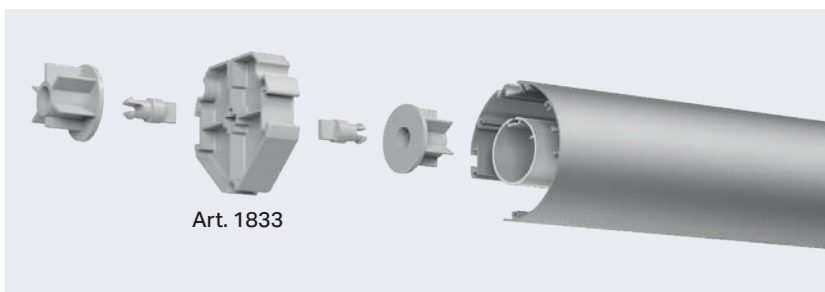
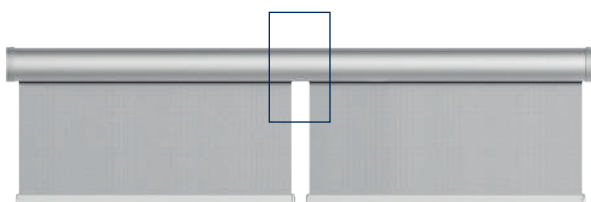
ROLLBOX 475 - B



ROLLBOX 475 - C

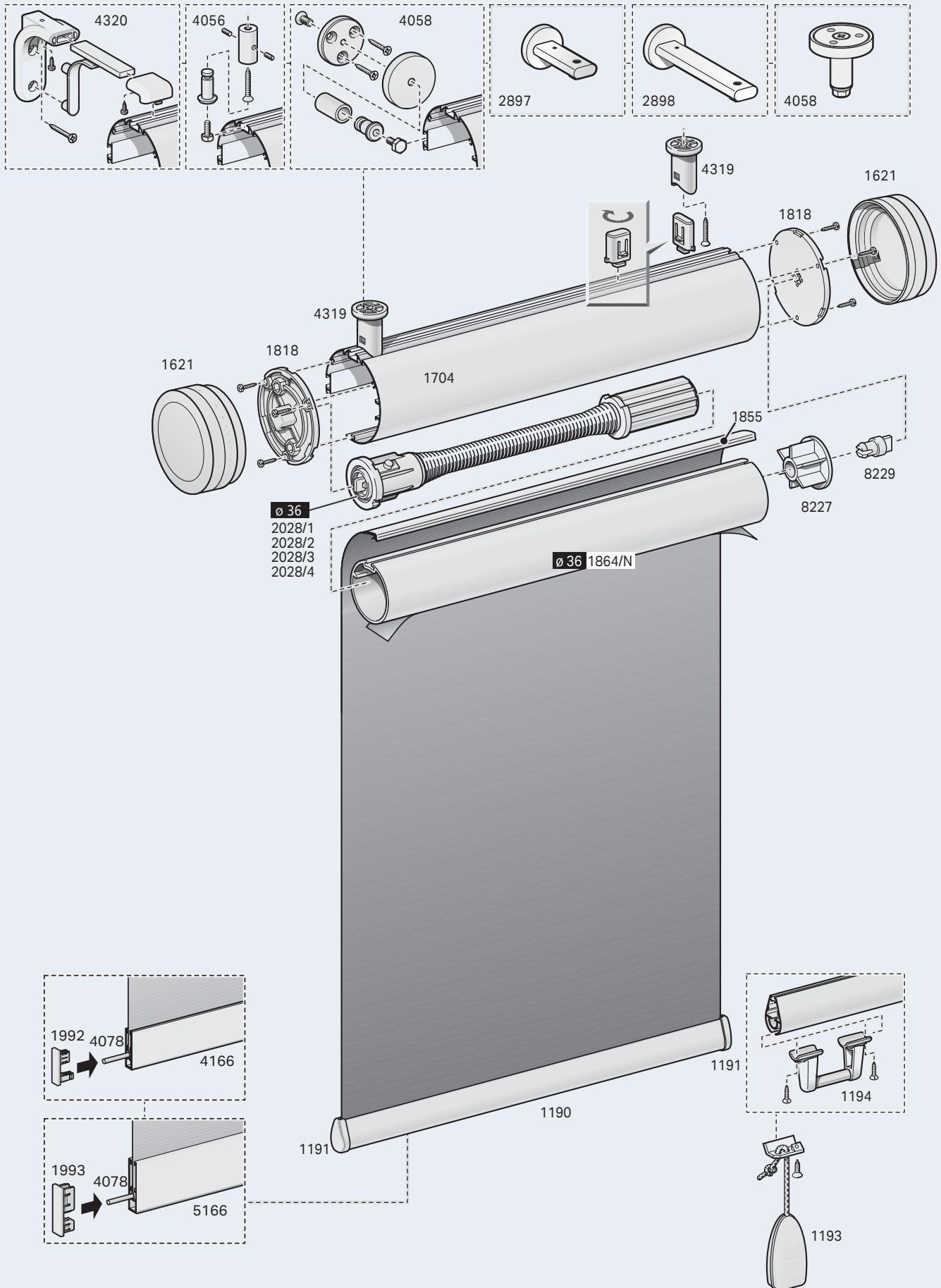


ROLLBOX 775





ROLLBOX 175

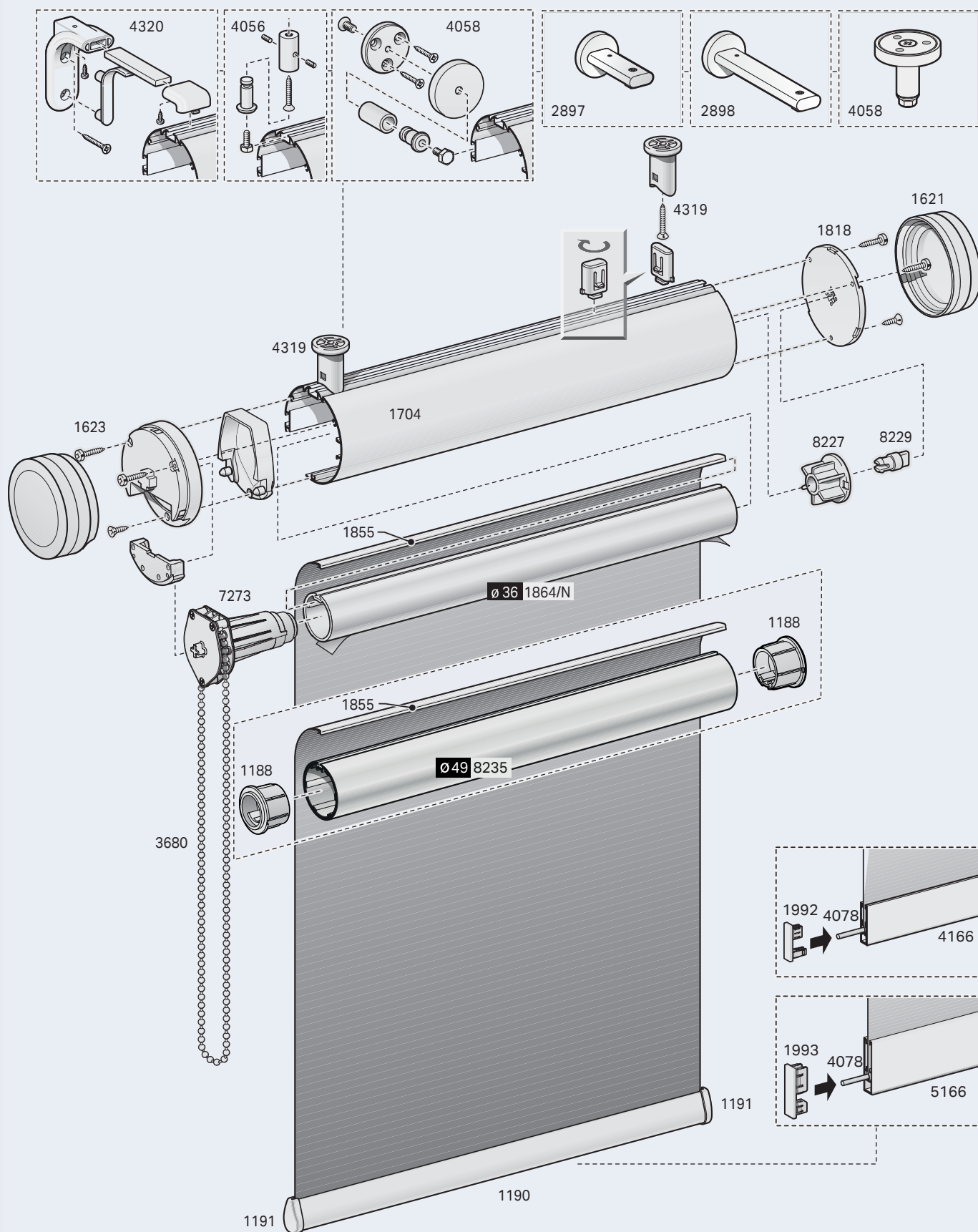




7.3.118

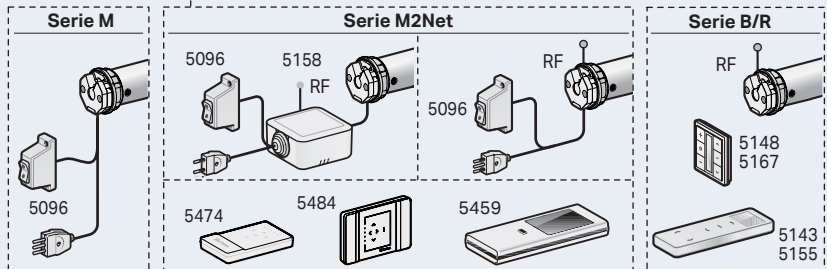
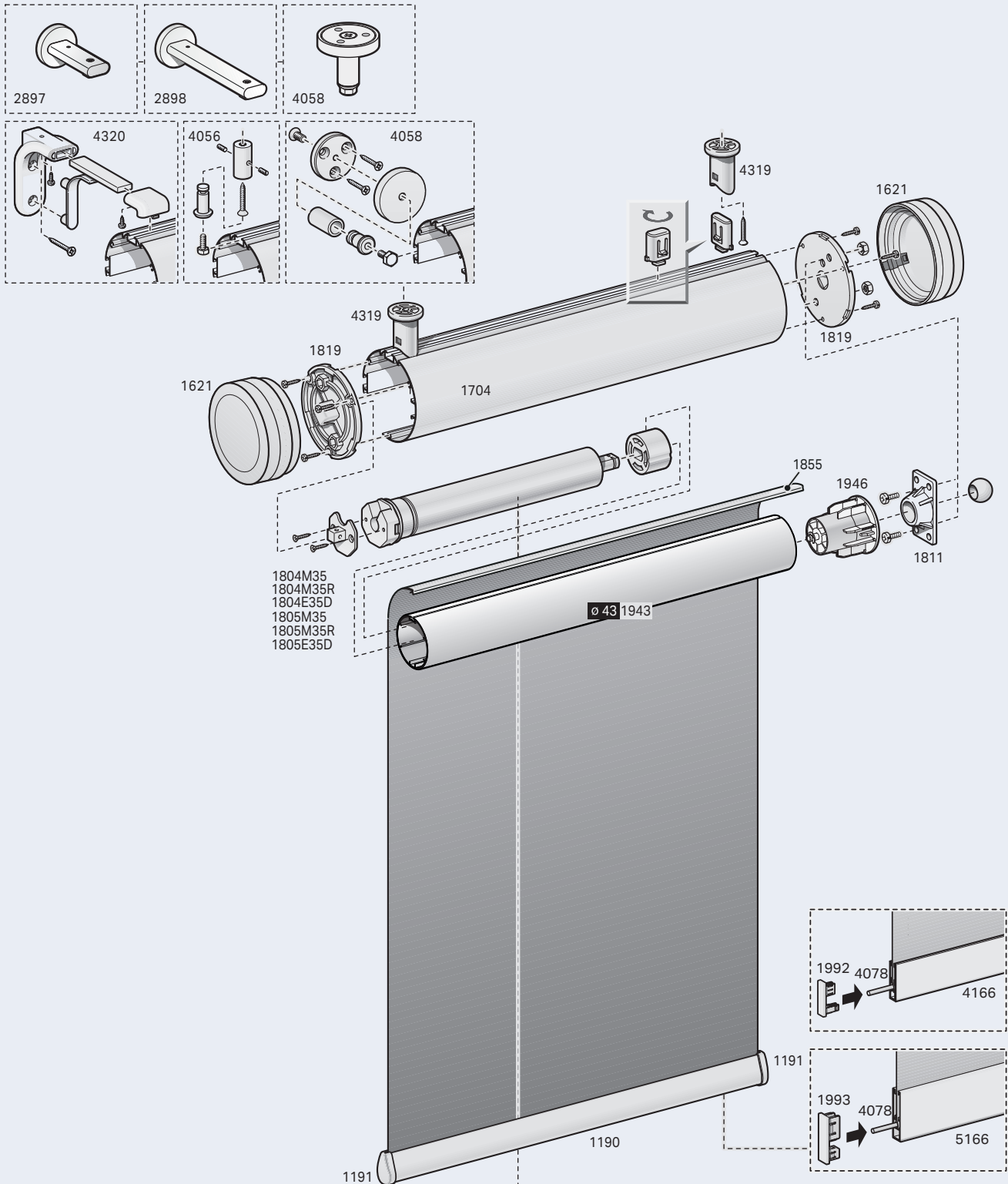
Rollbox serie 75

ROLLBOX 275



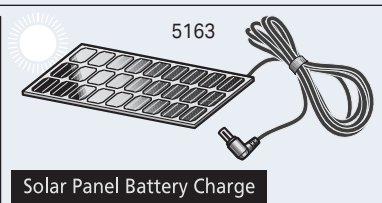
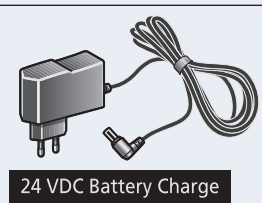
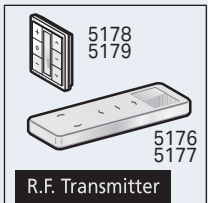
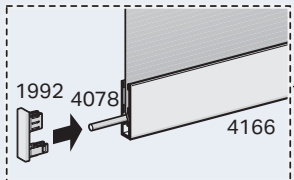
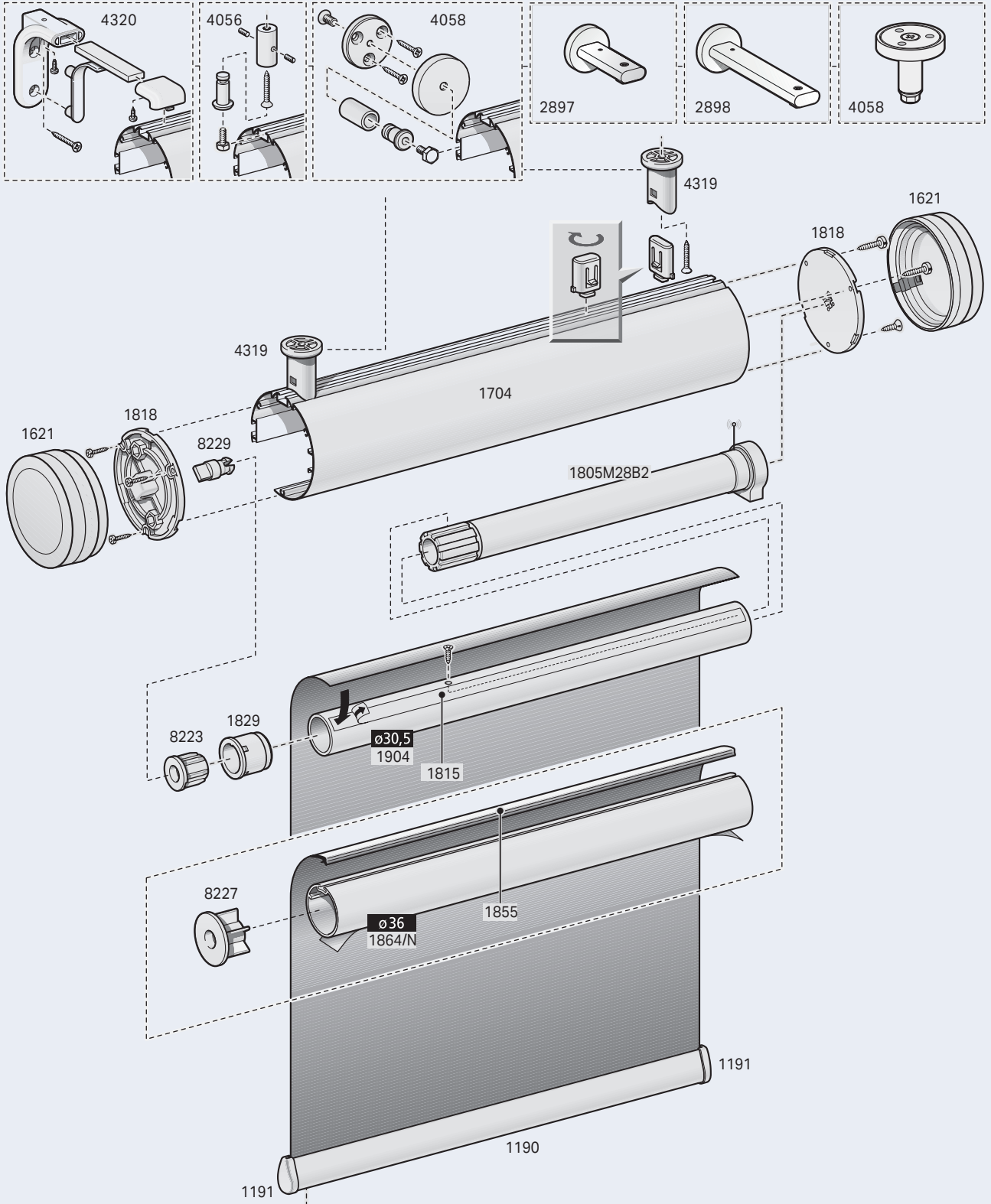


ROLLBOX 475 - MOTORISED SYSTEM



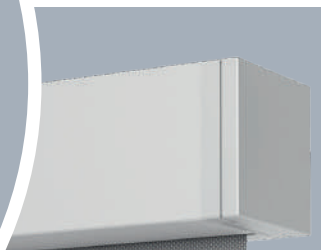
Rollbox serie 75

ROLLBOX 775



Rollbox serie 79

7.3.121





7.3.122

Rollbox serie 79



Cassonetto: quadro 72 x 72 mm in alluminio estruso 6060 T6 UNI 8278

Headbox: round shape \varnothing 75 mm. extruded aluminium 6060 T6 UNI 8278

Caja: redondo \varnothing 75 mm en aleación de aluminio 6060 T6 UNI 8278

A **Cassette:** rond \varnothing 75 mm. en aluminium extrudé 6060 T6 UNI 8278

Gehäuse: runde Form \varnothing 75 mm extrudiertes Aluminium 6060 T6 UNI 8278

Cassette: rond \varnothing 75 mm in geëxtrudeerd aluminium 6060 T6 UNI 8278

Fondale rettangolare o a goccia in alluminio estruso 6060 T6 UNI 8278 e corredato di tappi laterali in materiale termoplastico

6060 T6 UNI 8278 aluminium **bottombar** extruded aluminium rectangular or drop shape with thermoplastic endcap

Contrapeso rectangular ou em forma de gota em alumínio 6060 T6 UNI 8278 con tapones en termoplástico

B **Barre de lestage** rectangulaire ou en forme de drop en aluminium extrudé 6060 T6 UNI 8278 équipé de capuchons latéraux en matière thermoplastique

Beschwerung rechteckige of Tropfenform aus Aluminium extrudiertes 6060 T6 UNI 8278 mit thermoplast Enddeckel

Onderlat rechthoekig of druppelvorm in geëxtrudeerd aluminium 6060 T6 UNI 8278 met einkappen in thermoplastic

ROLLBOX SERIE 79

Tipo di applicazione:

- Verticale

Ambiente di applicazione:

- Interno

Azionamento:

- Molla decelerata (179) • Motore 230Vac/ 50-60Hz (479)
- A batteria ricaricabile integrata (779)

Fissaggio:

- A soffitto/parete con supporti in termoplastico
- A soffitto/parete con staffe in alluminio pressofuso

Tipo di tessuto:

- Filtrante • Dim Out • Oscurante

Dimensioni:

- 179-779: Max L 260 x H 400 cm; • 479: Max L 300 x H 400 cm

Applications:

- Vertical

Ambience:

- Interior

Operated by:

- Decelerated spring (179) • 230Vac/50-60Hz Motor (479)
- Rechargeable battery motor (779)

Fixing:

- Thermoplastic wall/ceiling brackets
- Die-cast aluminium wall/ceiling brackets

Fabrics:

- Filtering • Dim Out • Black-out

Dimensions:

- 179-779: Max L 260 x H 400 cm; • 479: Max L 300 x H 400 cm

Uso:

- Vertical

Ambiente:

- Interior

Accionamento para:

- Resorte desacelerado (179) • Motor 230Vac/50-60Hz (479)
- Motor a baterías recargables (779)

Fijación:

- Techo/pared con soportes en termoplástica
- Techo/pared con soportes en aluminio fundido a presión

Tejidos:

- Reflectante • Filtrante • Obscureciente

Rendimiento:

- 179-779: Max L 260 x H 400 cm; • 479: Max L 300 x H 400 cm

IT

Utilisation:

- Vertical

Environnement:

- Intérieur

Actionee par:

- Ressort decelere (179) • Moteur 230Vac/50-60Hz (479)
- Avec batteries (779)

Fixation:

- Plafond / mur avec supports en thermoplastique
- Plafond / mur avec supports en aluminium moulé sous pression

Tissus:

- Filtrant • Dim Out • Obscurcissant

Taille maximale:

- 179-779: Max L 260 x H 400 cm; • 479: Max L 300 x H 400 cm

FR

EN

Anwendung:

- Vertikal

Anwendungsumgebung:

- Innenliegend

Bedienung mit:

- Langsamlaufender Feder (179) • 230Vac Motor (479)
- Wiederaufladbarem akku Motor (779)

Befestigung:

- Decken- oder Wandmontage aus stoßfestem Thermoplast
- 6060 T6 UNI 8278 extrudiertes Aluminium Decken/Wand Montage

Stoffe:

- Halbtransparent • Abdunkelnd • Außenbereich

Abmessungen:

- 179-779: Max L 260 x H 400 cm; • 479: Max L 300 x H 400 cm

DE

ES

Gebruik:

- Verticaal

Omgeving:

- Binnen

Bediend met:

- Vertraagde veer (179) • Motor 230Vac/50-60Hz (479) • Batterij (779)

Bevestiging (Bevestiging):

- Plafond/wandsteunen in thermoplastic
- Plafond/wandsteunen in spuitgiet aluminium

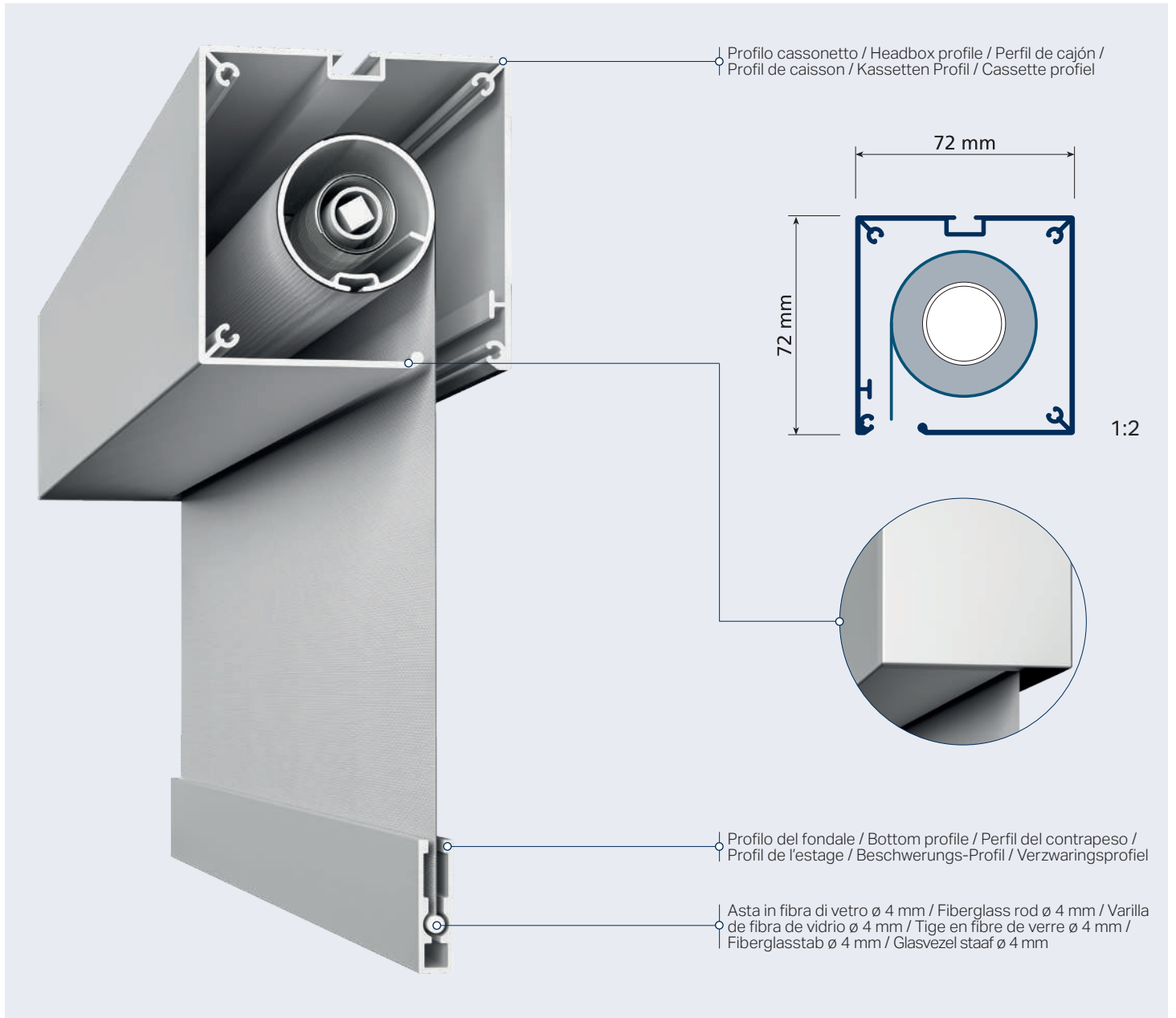
Doeken:

- Filterend • Dim Out • Verduisterend

Maximale afmeting:

- 179-779: Max L 260 x H 400 cm; • 479: Max L 300 x H 400 cm

NL



COLORI - COLOURS - COLORES - CORES - COLEURES - FARBEN - KLEUREN - ЦВЕТ



ALLUMINIO SATINATO
/ Satined aluminium



BIANCO OPACO
/ Matt white



ALTRI COLORI A RICHIESTA
/ available on demand

ON DEMAND

RAL 9003 Bianco segnale / Signal white	RAL 9016 Bianco traffico / Traffic white	RAL 9001 Bianco crema / Cream	RAL 1013 Bianco perla / Oyster white	RAL 1015 Avorio chiaro / Light ivory	RAL 1019 Beige grigiastro / Grey beige	RAL 8028 Marrone terra / Terra brown	RAL 8017 Marrone cioccolato / Chocolate brown	RAL 8014 Marrone seppia / Sepia brown	RAL 8019 Marrone grigiastro / Grey brow
RAL 7047 Grigio tele / Telegrey	RAL 7035 Grigio luce / Light grey	RAL 9006 Alluminio brillante / White aluminium	RAL 9007 Alluminio grigiastro / Grey aluminium	RAL 7030 Grigio pietra / Stone grey	RAL 7037 Grigio polvere / Dusty grey	RAL 7001 Grigio argento / Silver grey	RAL 7039 Grigio quarzo / Quartz grey	RAL 7024 Grigio grafite / Graphite grey	RAL 7022 Grigio ombra / Umbra grey
RAL 7021 Grigio nerastro / Black grey	RAL 9011 Nero grafite / Graphite black	RAL 9004 Nero segnale / Signal black	RAL 6005 Verde muschio / Moss green	ROVERE CHIARO 398-87R	ROVERE 414-73R	DOUGLAS 335-80	CILIEGIO 317-70R	NOCE 102-70R	



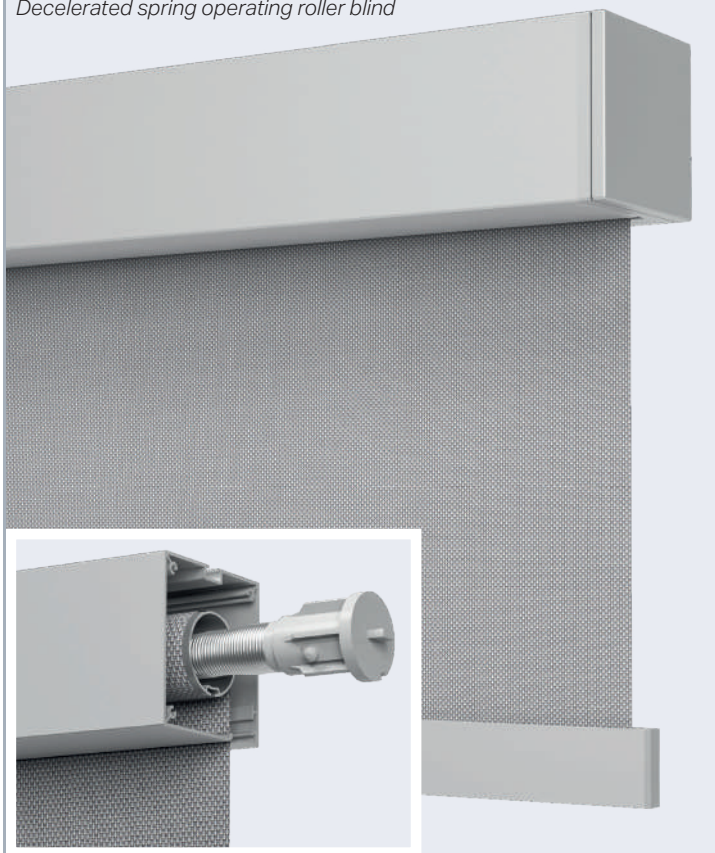
7.3.124

Rollbox serie 79

AZIONAMENTI - CORD OPERATED - ACCIONAMIENTOS - ACTIONNEMENT - SCHNURBETÄTIGUNG - KOORDBEDIEND

ROLLBOX 179 - 1900R27

Tenda a rullo azionamento a molla decelerata
Decelerated spring operating roller blind



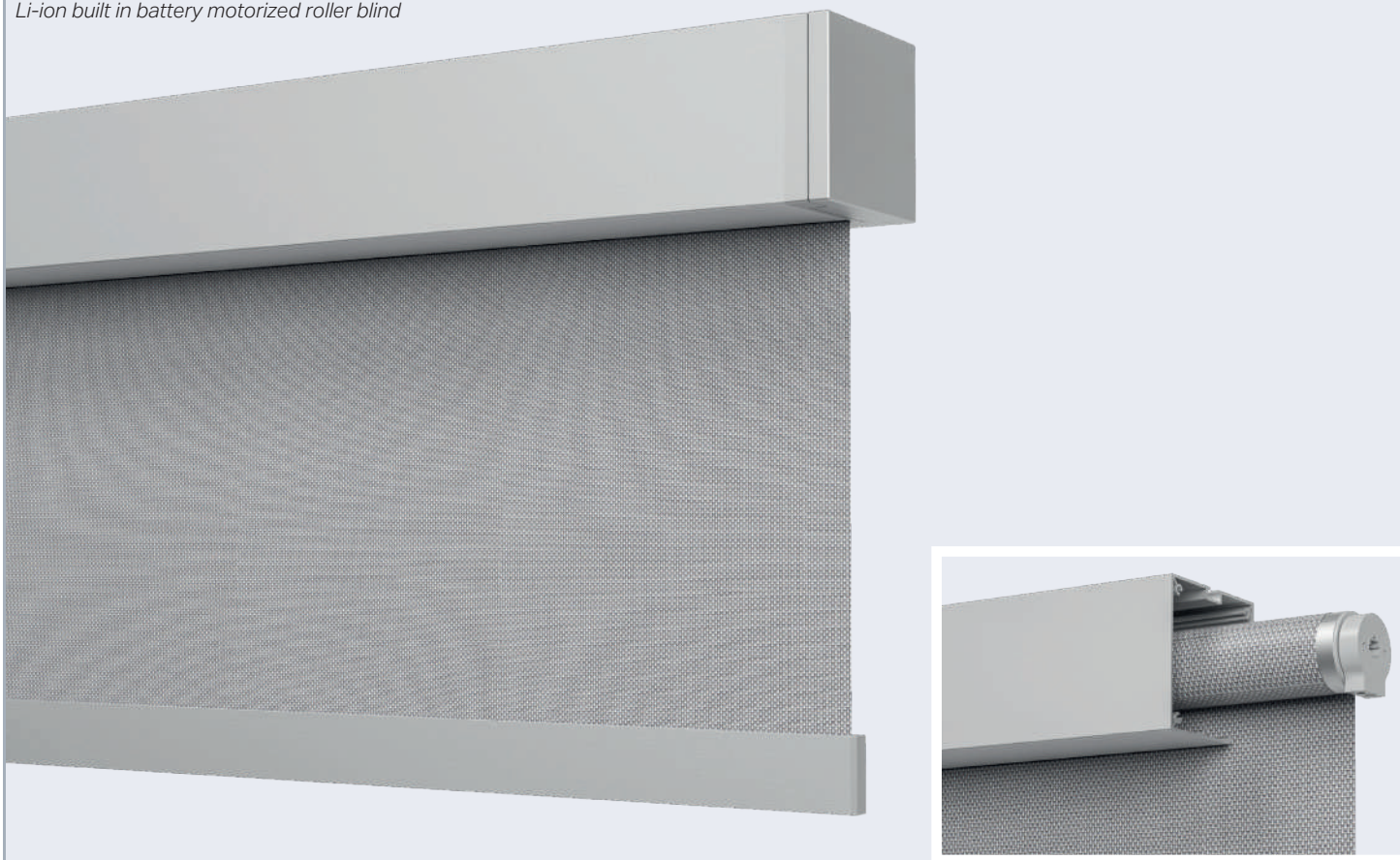
ROLLBOX 479 - 1900R28

Tenda a rullo azionamento a motore
230vac motorized boxed blind



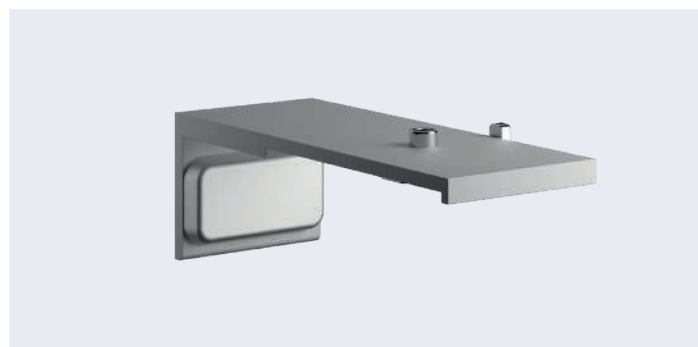
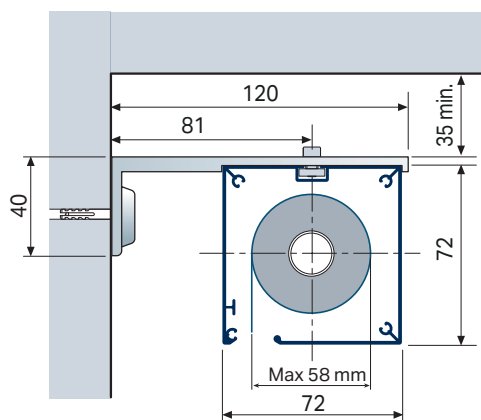
ROLLBOX 779 - 1900R44

Tenda a rullo azionamento a motore a batteria li-ion integrata
Li-ion built in battery motorized roller blind



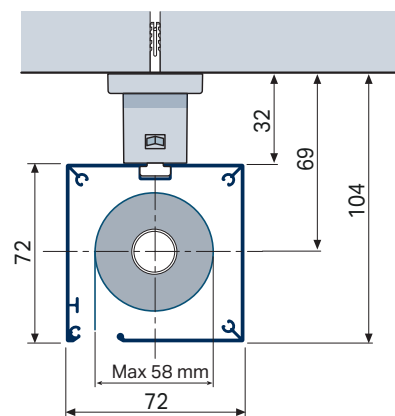
A PARETE - WALL - A PARED - MUR - WAND - MUUR

1239



A SOFFITTO - CEILING - TECHO - PLAFOND - DECKE - PLAFOND

4313



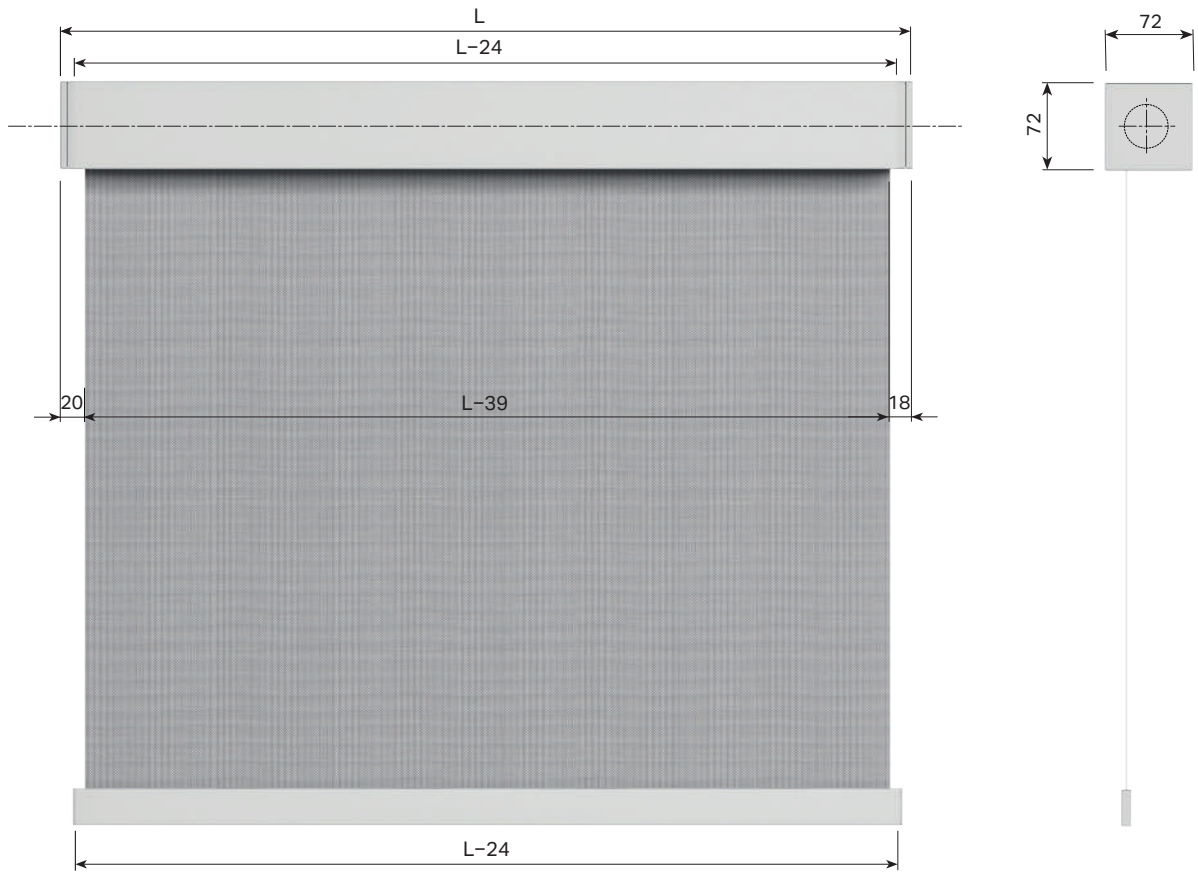


7.3.126

Rollbox serie 79

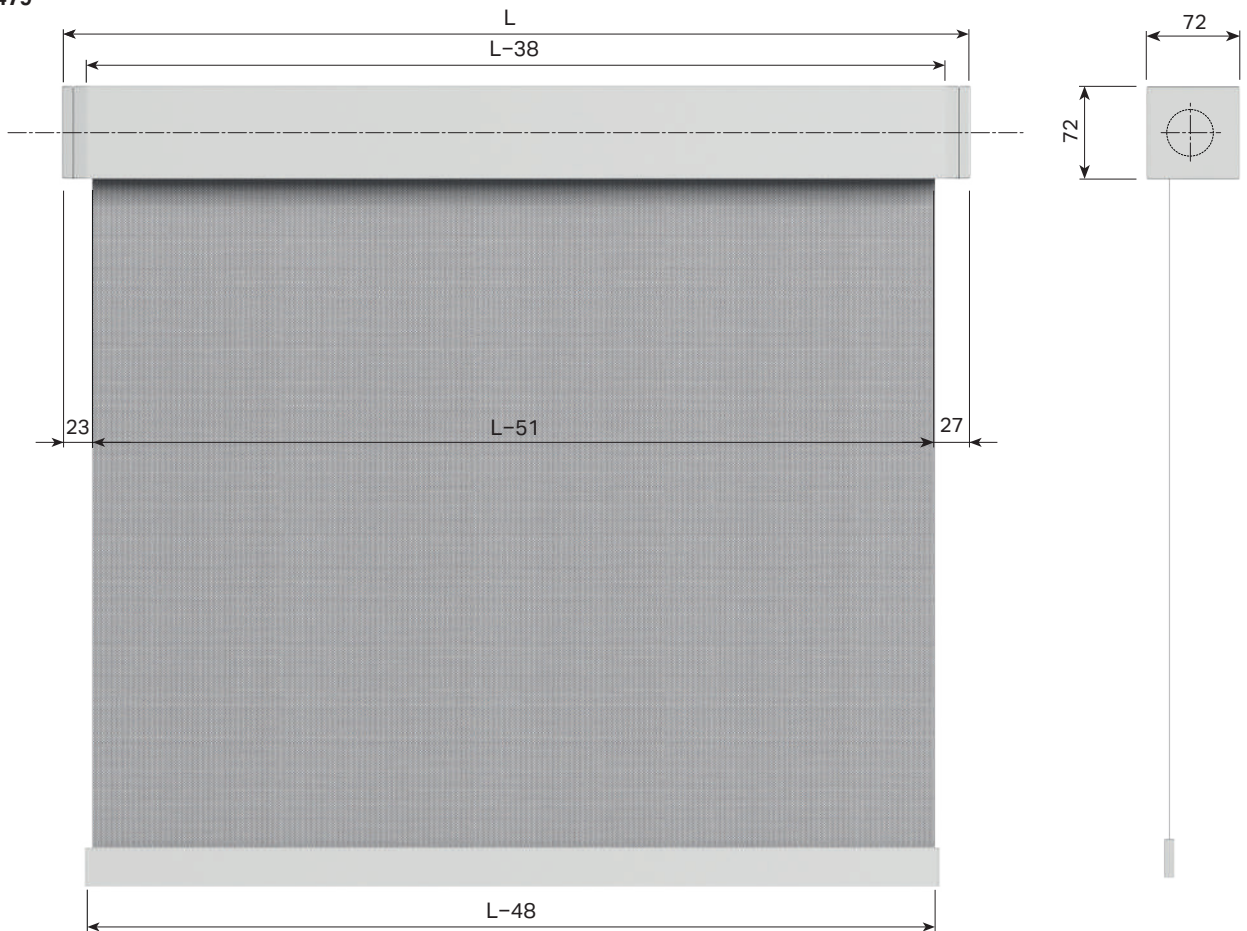
INGOMBRI - OVERALL DIMENSIONS - ESPESORES - ENCOMBREMEN - RAUMBEDARF - PAKKET

ROLLBOX 179



1:6

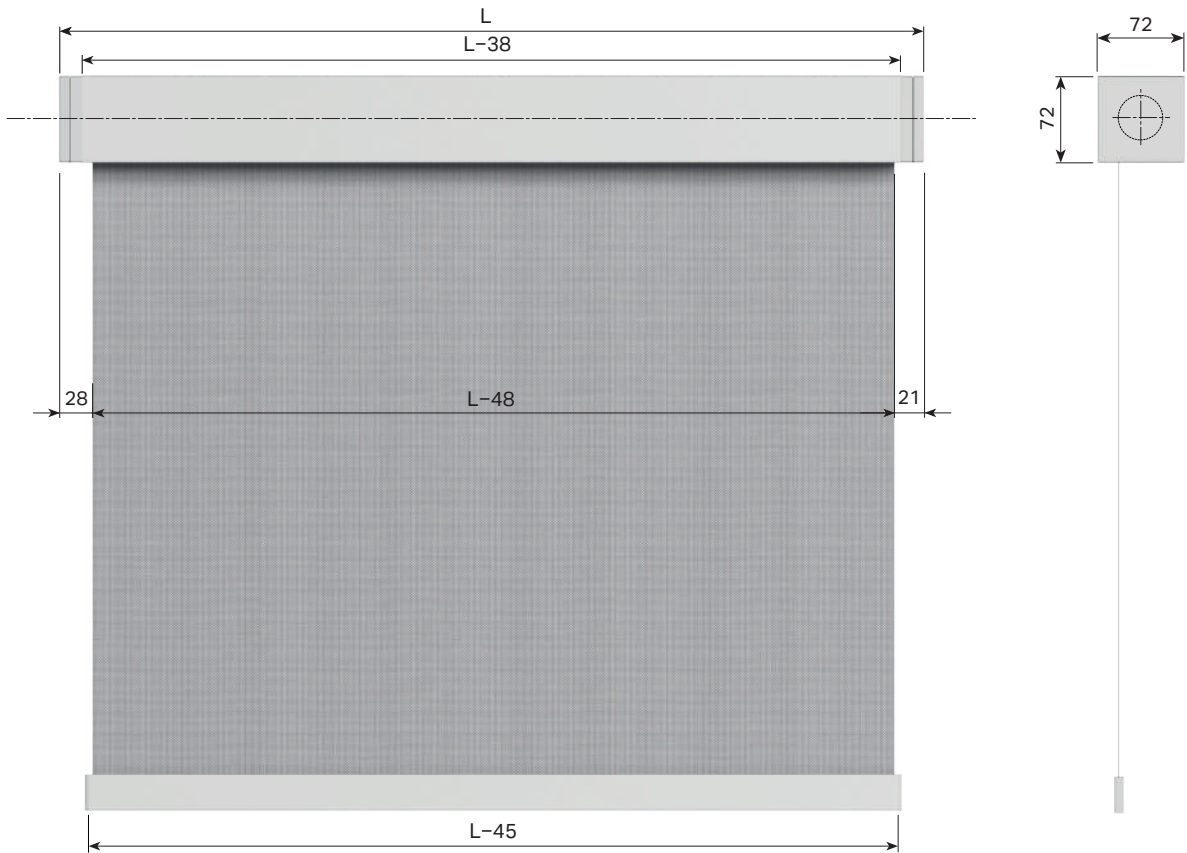
ROLLBOX 479



1:6

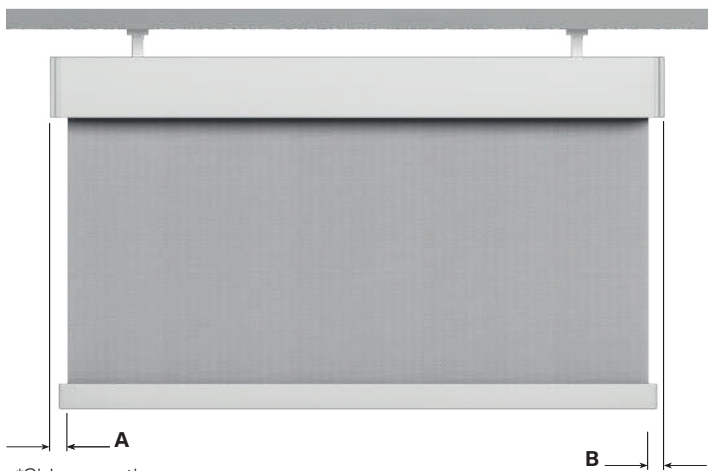
INGOMBRI - OVERALL DIMENSIONS - ESPESORES - ENCOMBREMENT - RAUMBEDARF - PAKKET

ROLLBOX 779



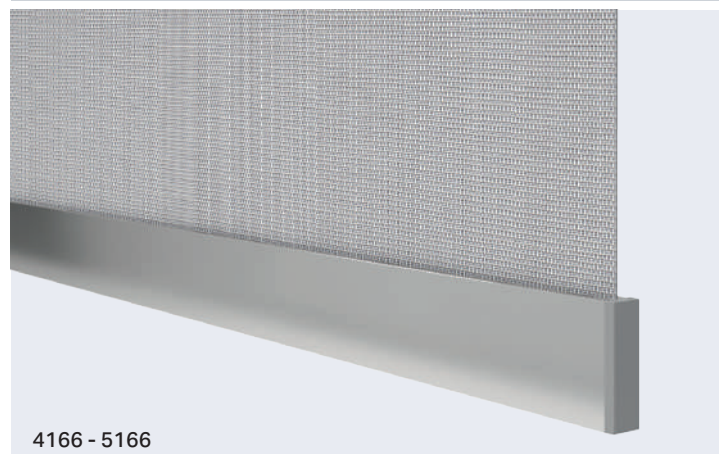
1:6

MISURE TELO - BLIND DIMENSION - MEDIDAS SISTEMA - DIMENSION TOILE - BAHNABMESSUNGEN - AFMETING DOEK

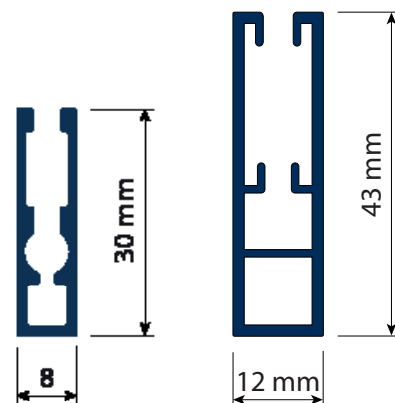


*Side operation

FONDALI - BOTTOM BARS - CONTRAPESOS - BARRES DE LESTAGE - BESCHWERUNGSPROFIL - ONDERLATTEN



	A (mm)	B (mm)
ROLLBOX 179	20	18
ROLLBOX 479	23	27
ROLLBOX 779	28	21

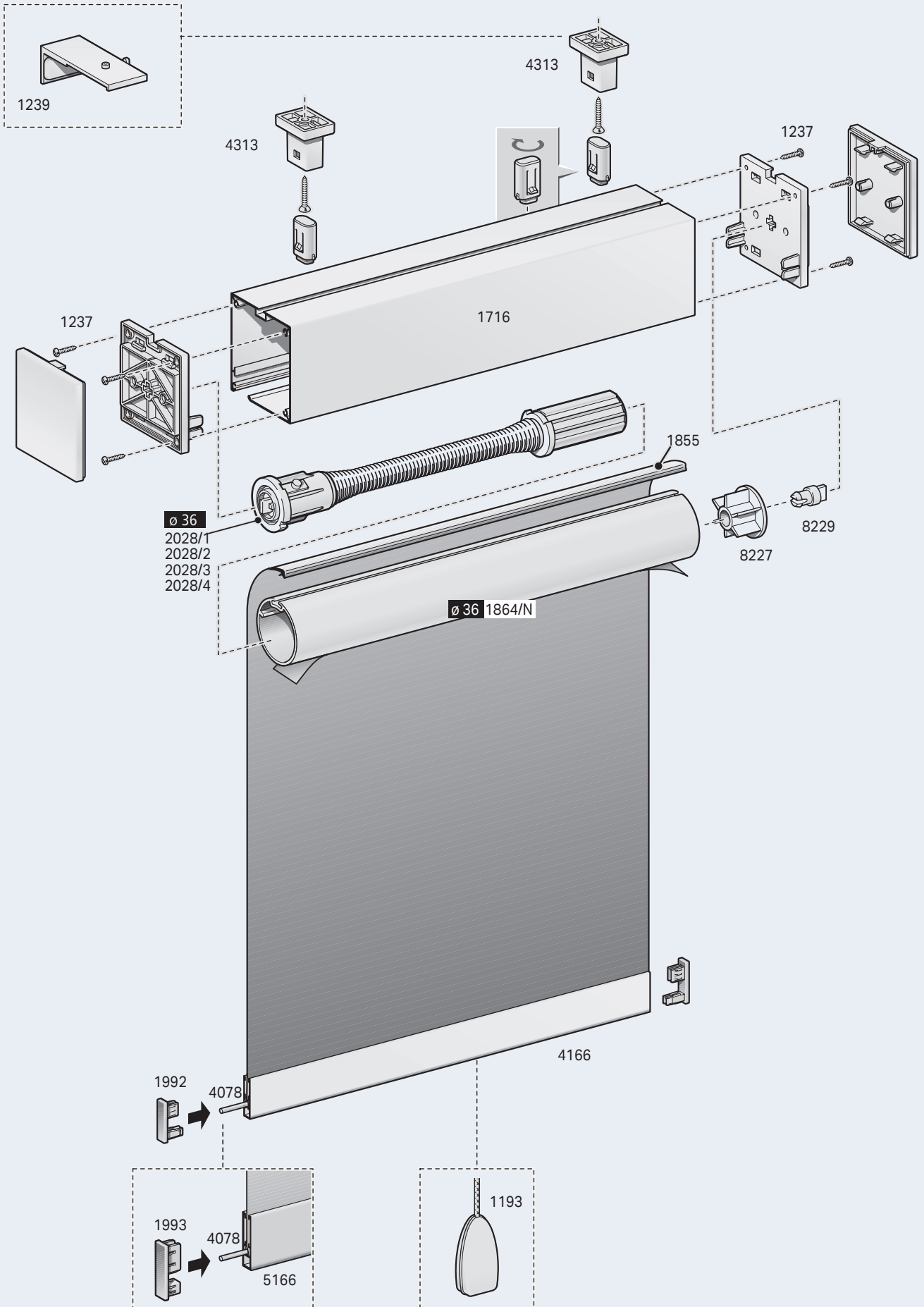




7.3.128

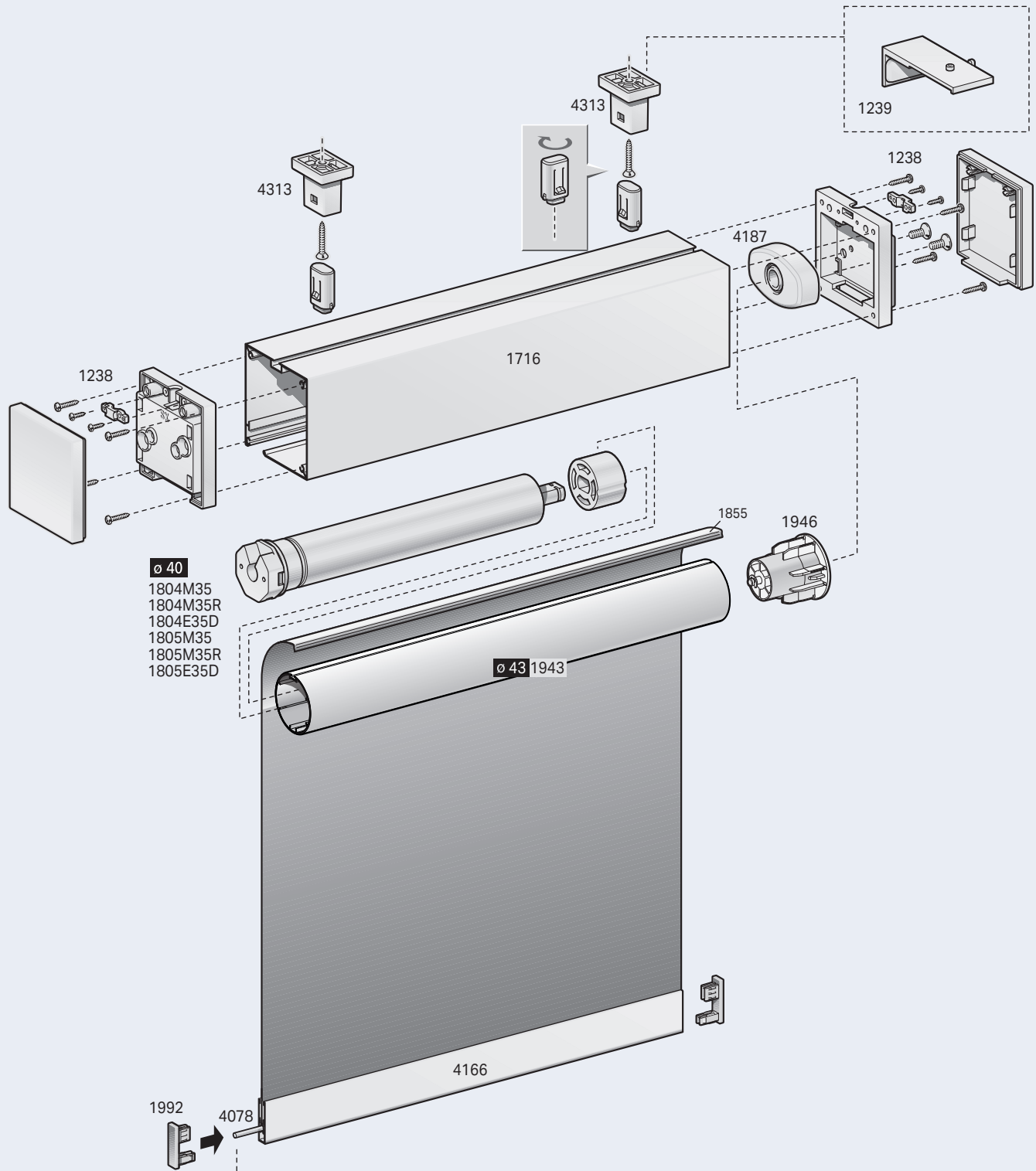
Rollbox serie 79

ROLLBOX 179

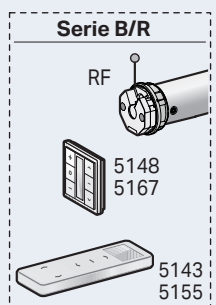
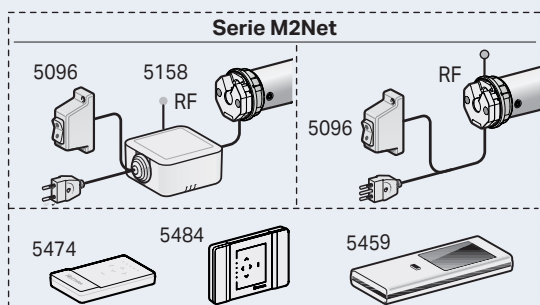
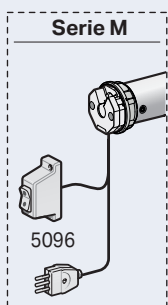
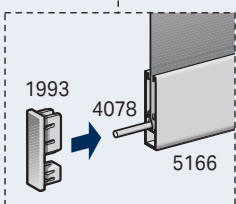




ROLLBOX 479 - MOTORISED SYSTEM



- ø 40
- 1804M35
- 1804M35R
- 1804E35D
- 1805M35
- 1805M35R
- 1805E35D





7.3.130

Rollbox serie 79

